

ALAN Manufacturing Inc.

Phone: 1-800-435-ALAN (2526)

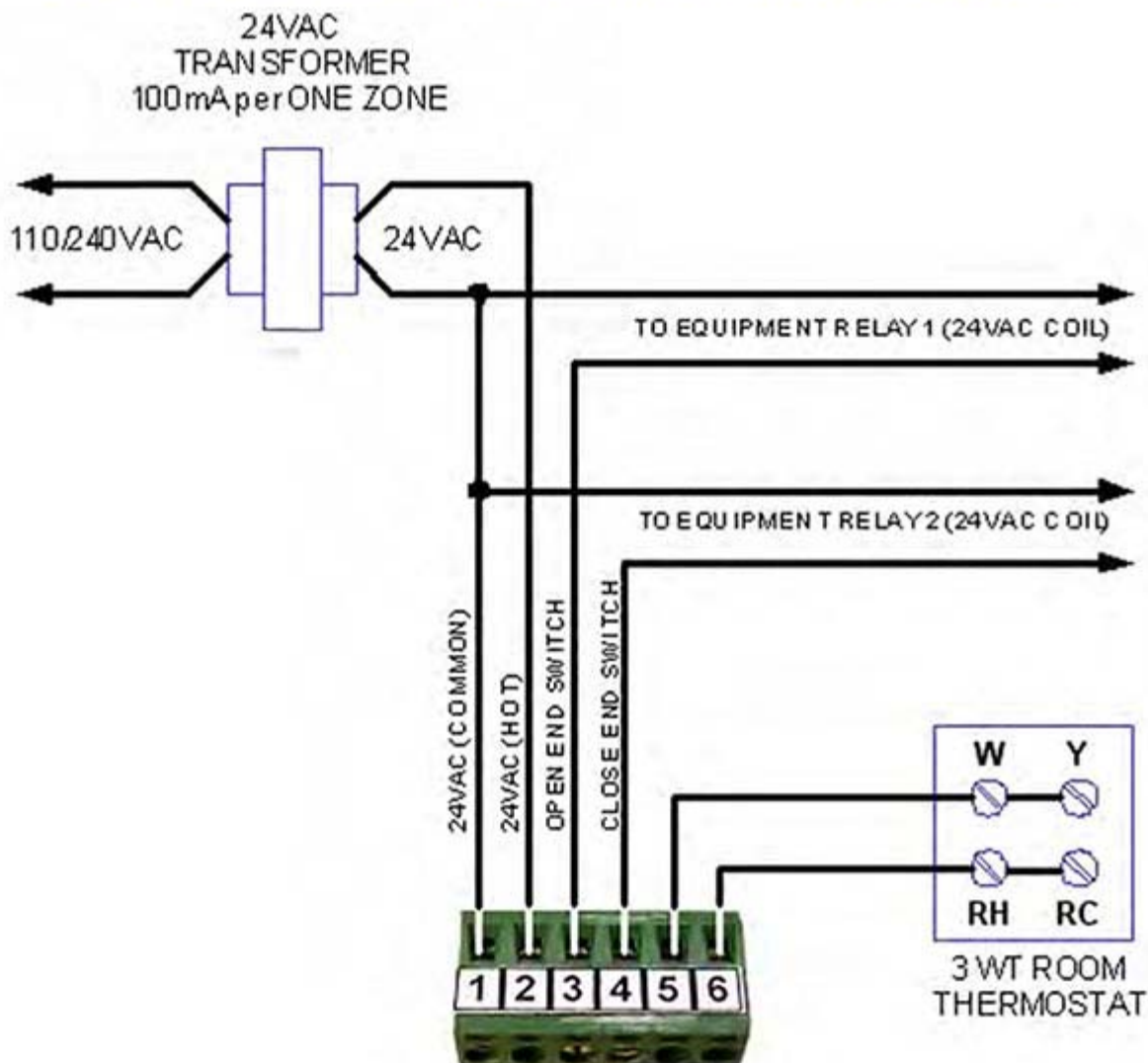
Fax: 1-877-333-ALAN (2526)

E-mail: alansteel@alanmfg.com

Web: www.alanmfg.com

WIRING DIAGRAM

ALAN'S POWER-OPEN/POWER-CLOSE

DESCRIPTION:

- 1 - 24VAC Common (N).
- 2 - 24VAC Line (HOT).
- 3 - 24VAC command to equipment Relay for full open position damper.
- 4 - 24VAC command to equipment Relay for full close position damper.
- 5, 6 - Terminals to room thermostat.
- Room Thermostat: All thermostats (cool, heat, cool/heat) with two outlet
- dry contact terminals.
- NOTICE: make short circuit in the thermostat between terminals W & Y, and terminals RH & RC (see chart above).