



Submittal Sheet

Model T200WLZ2

Operation

Wireless thermostat for use with the eWL4 4-Zone Wireless Zoning Panel.

Zone Addresses

4 different zone addresses.

Home Addresses

7 different Home addresses to differentiate between neighbors.

Operating Modes

Schedule, Hold and Permanent Hold.

Schedules per Day

Morning, Day, Evening and Night.

Schedules Format

7-Day

System Modes

Off, Heat, Cool, Auto Heat/Cool and Emergency Heat when configured as a heat pump.

LCD Backlight

The LCD backlight is turned on whenever a key is pressed.

Wireless Control

Uses 915MHz ISM band with proprietary protocol. Indoor range is over 100 feet.

Power

Powered by the eWL4 panel using two existing thermostat wires or powered by two AA batteries.

Dimensions

5.00 x 4.50 x 1.00 inches (LWD)

Features

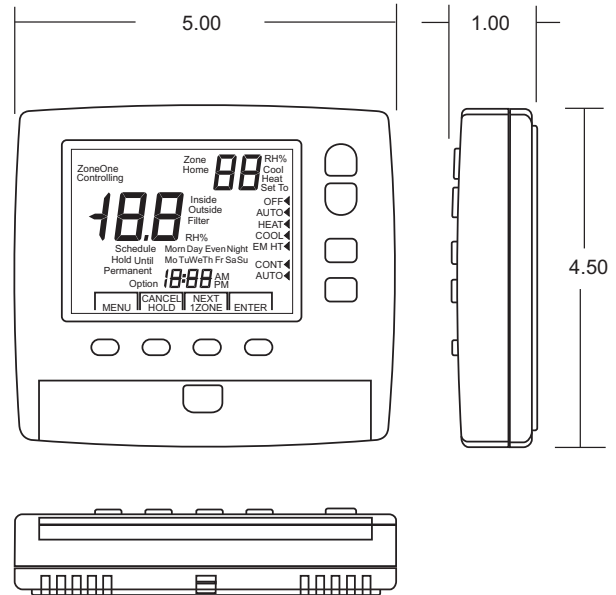
Large LCD with blue back lighting.

Eliminates installing new wires.

Four stages of heating and two stages of cooling.

Batteries can be changed without removing the thermostat from the wall.

OneZone or vacation mode selected from the thermostat.



SUBMITTAL FORM

Submitted By: _____

Job: _____

Architect: _____

Engineer: _____

Contractor: _____

Location: _____